

120mm sq.

San Ace 120L

38mm thick(LB type)
38mm thick(GL type)



General Specifications

- Material Frame: Aluminum, Impeller: Plastics (Flammability: UL94V-1)
- Expected Life Refer to specifications (L10:Survival rate: 90% at 60°C , rated voltage, and continuously run in a free air state)
- Lead Wire ⊕red ⊖black or blue (Sensor) yellow
- Storage Temperature -30°C to +70°C (Non-condensing)

120×120×38mm (Mass : 370g) **GL type**

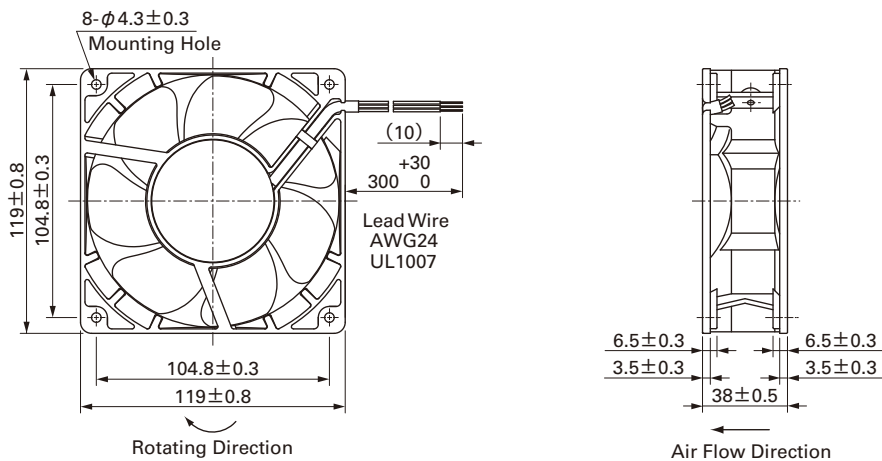
Specifications The following nos. have pulse sensors.

Model No.	Rated Voltage [V]	Operating Voltage Range [V]	Rated Current [A]	Rated Input [W]	Rated Speed [min ⁻¹]	Max. Air Flow [m ³ /min] [CFM]	Max. Static Pressure [Pa] [inchH ₂ O]	SPL [dB(A)]	Operating Temperature [°C]	Expected Life [h]	
9GL1212G101	12	10.2 to 13.8	0.98	11.8	3,600	3.88 137	135 0.542	49	- 20 to + 70	80,000	
9GL1212E101			0.61	7.32	3,100	3.34 118	100 0.402	46			
9GL1212H101		7 to 13.8	0.38	4.56	2,600	2.80 99	70.4 0.283	39		100,000	
9GL1212F101			0.28	3.36	2,280	2.45 87	54.2 0.218	36			
9GL1212M101			0.21	2.52	1,950	2.10 74	39.6 0.159	32			
9GL1224G101	24	20.4 to 27.6	0.50	12.0	3,600	3.88 137	135 0.542	49		- 20 to + 70	80,000
9GL1224E101			0.34	8.16	3,100	3.34 118	100 0.402	46			
9GL1224H101		14 to 27.6	0.22	5.28	2,600	2.80 99	70.4 0.283	39			100,000
9GL1224F101			0.16	3.84	2,280	2.45 87	54.2 0.218	36			
9GL1224M101			0.11	2.64	1,950	2.10 74	39.6 0.159	32			
9GL1248G101	48	40.8 to 55.2	0.25	12.0	3,600	3.88 137	135 0.542	49	- 20 to + 70		80,000
9GL1248E101			0.17	8.16	3,100	3.34 118	100 0.402	46			
9GL1248H101			0.11	5.28	2,600	2.80 99	70.4 0.283	39			100,000
9GL1248F101			0.09	4.32	2,280	2.45 87	54.2 0.218	36			
9GL1248M101			0.07	3.36	1,950	2.10 74	39.6 0.159	32			

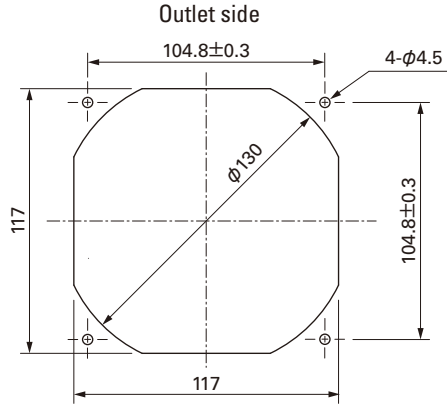
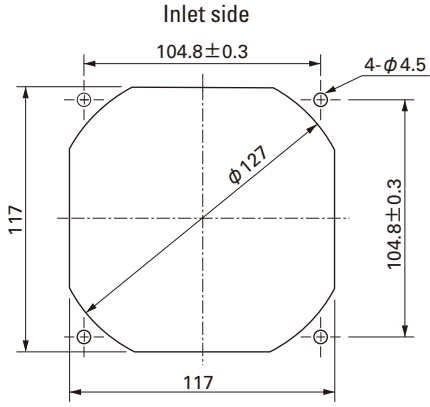
Available options: ⇒ Without Sensor

Please inquire as the availability of these functions depend on the model. ⇒ Lock Sensor Low speed Sensor PWM Control

Dimensions (Unit : mm)



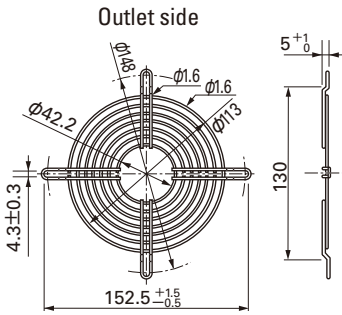
Reference dimension of mounting holes and vent opening (Unit : mm)



Options (Unit : mm)

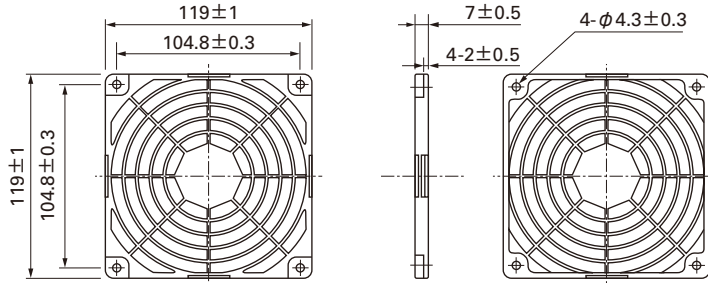
Finger guards

Model : 109-019C Surface treatment : Nickel-chrome plating (silver) Color : Silver
 : 109-019H : Cation electropainting (black)



Resin Finger guards

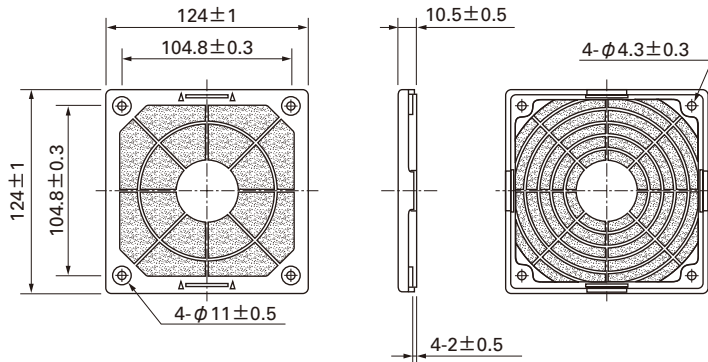
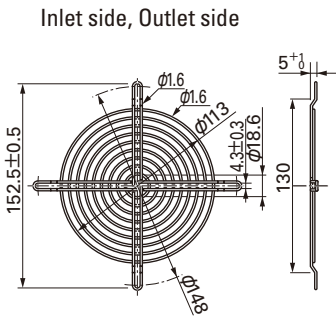
Model : 109-1000G



Model : 109-019E Surface treatment : Nickel-chrome plating (silver) Color : Silver
 : 109-019K : Cation electropainting (black)

Resin filter kits

Model : 109-1000F13 (13PPI), 109-1000F20 (20PPI)
 : 109-1000F30 (30PPI), 109-1000F40 (40PPI)

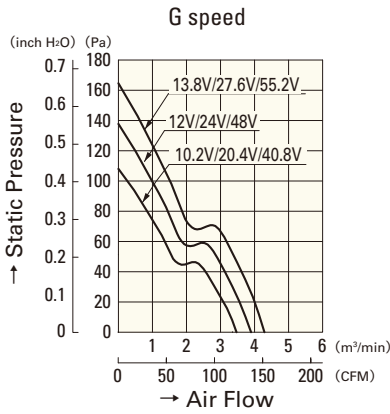


120mm sq.

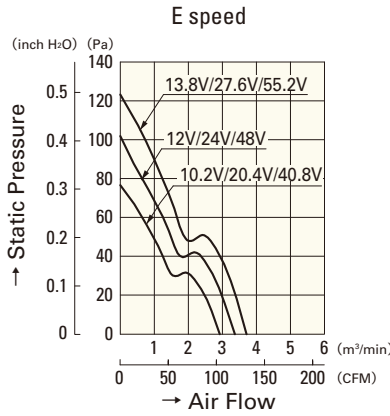
San Ace 120L

120×120×38mm (Mass : 370g)

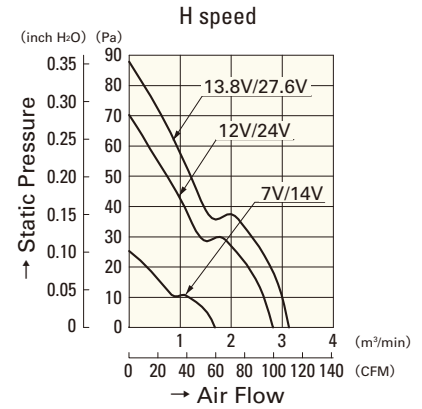
Air Flow - Static Pressure Characteristics



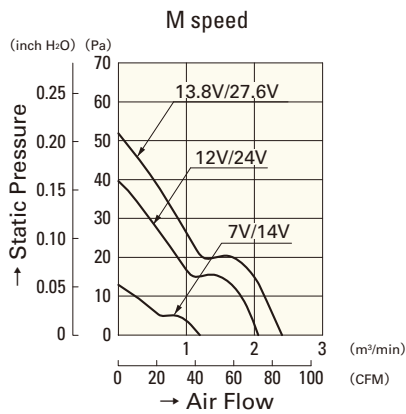
9GL1212G101
9GL1224G101
9GL1248G101



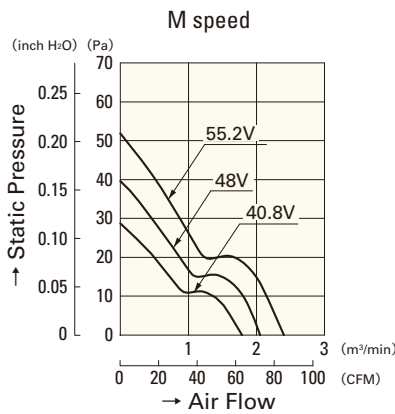
9GL1212E101
9GL1224E101
9GL1248E101



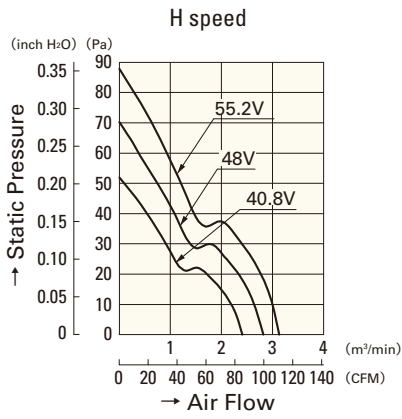
9GL1212H101
9GL1224H101



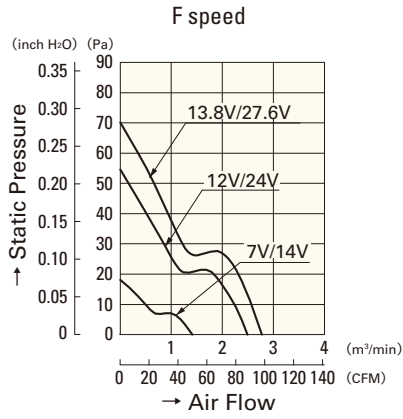
9GL1212M101
9GL1224M101



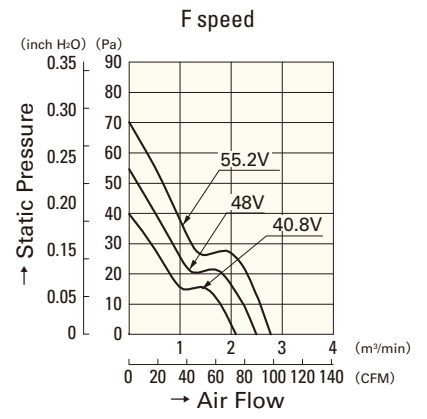
9GL1248M101



9GL1248H101



9GL1212F101
9GL1224F101



9GL1248F101